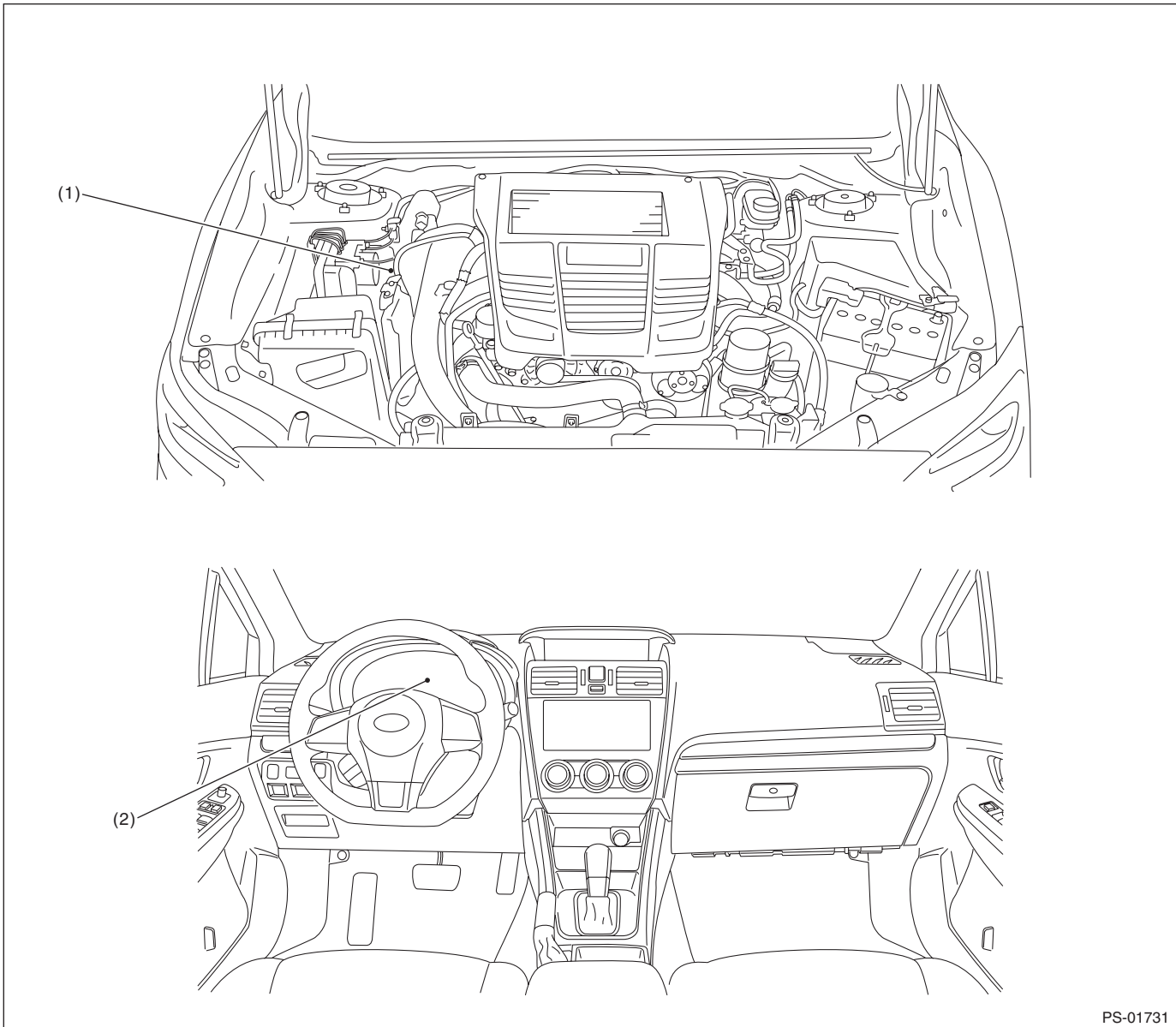


# Electrical Component Location

POWER ASSISTED SYSTEM (POWER STEERING) (DIAGNOSTICS)

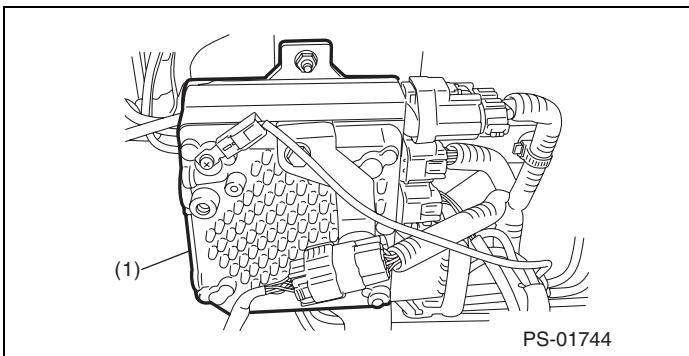
## 4. Electrical Component Location

### A: LOCATION

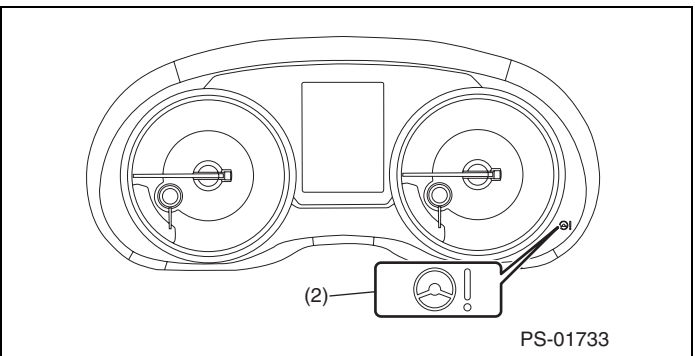


PS-01731

- (1) Power steering control module      (2) STEERING warning light



PS-01744



PS-01733